
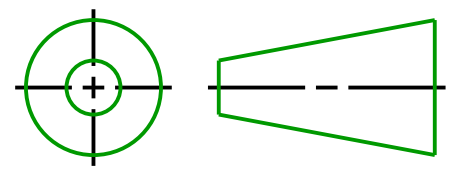


PART NO. AF075A2-P0403300208 AD-P90-M80-8					
APPROVALS	DATE	TITLE AF075A 2 STAGES AND MOTOR FLANGE MOUNTING			
DRAWN		DWG NO. AF075A2-P0403300208			
CHECKED					
APPROVED			SIZE A0	SCALE 1:1	REV